

Math 070
Final Exam Spring 2009

Name _____

MULTIPLE CHOICE. Choose the one alternative that best completes the statement or answers the question.

Subtract. Check by adding.

1)
$$\begin{array}{r} 5925 \\ - 5394 \\ \hline \end{array}$$

- A) 5531 B) 523 C) 531 D) 483

Solve.

- 2) A rectangular plot of land measure 50 feet by 160 feet. Find its area.
A) 800 sq. ft. B) 8000 sq. ft. C) 420 sq. ft. D) 210 sq. ft.

Multiply. Write the answer in simplest form.

3) $\frac{1}{8} \cdot \frac{15}{16} \cdot \frac{24}{20} \cdot \frac{40}{2}$

- A) $\frac{16}{45}$ B) $\frac{40}{23}$ C) $\frac{15}{128}$ D) $\frac{45}{16}$

Add and simplify.

4) $\frac{1}{15} + \frac{3}{15} + \frac{7}{15}$

- A) $\frac{21}{3375}$ B) $\frac{21}{15}$ C) $\frac{11}{15}$ D) $\frac{11}{45}$

Add.

$$\begin{array}{r} 358.085 \\ 23.382 \\ 5) + \underline{5.152} \end{array}$$

- A) 386.729 B) 386.619 C) 386.719 D) 386.629

Solve.

- 6) A farmer sells 6000 bushels of corn for \$3.45 a bushel. How much did the farmer receive?
A) \$20,100.00 B) \$20,700.00 C) \$201,000.00 D) \$207,000.00

Divide.

7) $460.18 \div 26.6$

- A) 18.3 B) 1.73 C) 173 D) 17.3

Find the ratio described as a fraction in simplest form.

8) Residents in a small town eat an average 10 hot dogs per month at neighborhood barbecues. Residents of a large city eat an average 6 hot dogs per month at neighborhood barbecues. Find the ratio of the number of hot dogs eaten by small town residents to the amount eaten by large city residents.

- A) $\frac{5}{3}$ B) $\frac{10}{6}$ C) $\frac{6}{10}$ D) $\frac{3}{5}$

Solve.

9) Write the equivalent decimal and fraction for 7%.

- A) 0.07; $\frac{7}{100}$ B) 7; 7 C) 0.7; $\frac{7}{1000}$ D) 0.007; $\frac{7}{10}$

Solve. Round the answer to the nearest cent, if necessary.

10) Last year the profit for a company was \$650,000. This year's profit decreased by 7.9%. Find this year's profit.

- A) \$513,500 B) \$598,650 C) \$51,350 D) \$136,500

Solve. Remember to insert units in your answer.

11) A store buys 14 kg of rice in bulk. If the rice is divided into 8 packets of equal weight, how many kilograms will be in each packet?

- A) 0.57 kg B) 17.5 kg C) 5.71 kg D) 1.75 kg

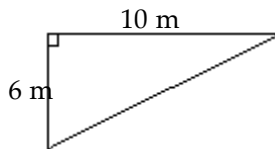
Convert the measurement as indicated.

12) 12 c to pints if 2 cups equal 1 pint

- A) 3 pt B) 48 pt C) 6 pt D) 24 pt

Find the area of the geometric figure.

13)

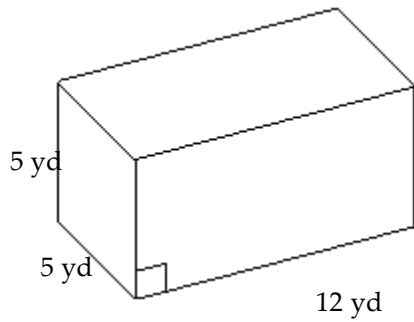


Remember that the area of a triangle is (base x height) / 2

- A) 16 sq m B) 30 sq m C) 60 sq m D) 120 sq m

Find the volume of the solid. Use $\frac{22}{7}$ for π .

14)



A) 720 cu yd

B) 60 cu yd

C) 22 cu yd

D) 300 cu yd

Solve the equation.

15) $2n - 5 = 5$

A) 7

B) 12

C) 5

D) 8

FREE RESPONSE. Solve the problems below showing all of your work.

Solve. Write the answer in simplest form.

16) A rectangular flower bed in front of a building measures $17\frac{1}{2}$ feet by $4\frac{4}{7}$ feet. What is the total area of the flower bed? Hint: The area of a rectangle is the product of the length times the width.

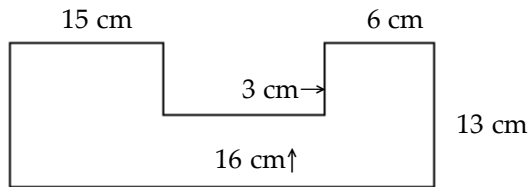
Solve.

17) Kim decided to do some spring cleaning. She spent $4\frac{8}{9}$ hours cleaning her garage on Saturday. The next day she spent $5\frac{1}{9}$ hours cleaning her basement. What was the total amount of time she spent cleaning that weekend?

- 18) On an architect's blueprint, 1 inch corresponds to 9 feet. If an exterior wall is 36 feet long, find how long the blueprint measurement should be. Write answer as a mixed number if necessary.

Find the perimeter of the figure.

19)



Simplify.

20)
$$\frac{|3 - 7| + \sqrt{25}}{-5(3) - (-10)}$$

Answer Key

Testname: MATH070 FINAL EXAM SPRING 2009

- 1) C
- 2) B
- 3) D
- 4) C
- 5) B
- 6) B
- 7) D
- 8) A
- 9) A
- 10) B
- 11) D
- 12) C
- 13) B
- 14) D
- 15) C
- 16) 80 square feet
- 17) 10 hours
- 18) 4 in.
- 19) 106 cm
- 20) $-\frac{9}{5}$